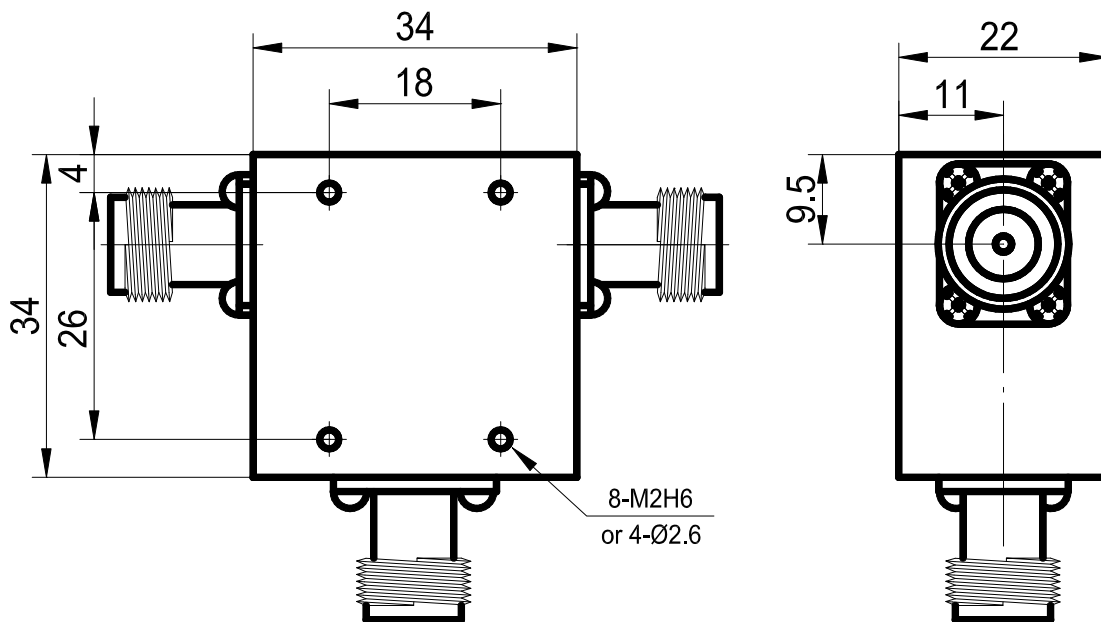


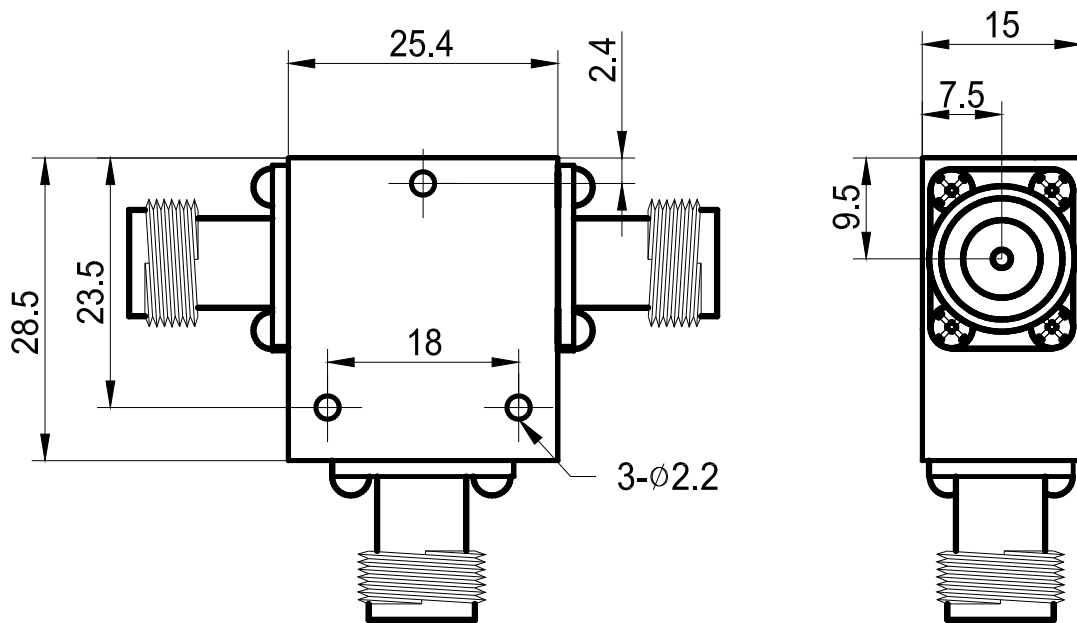
COAXIAL CIRCULATOR

Model	TH3434EN-1
Frequency Range	890-960MHz
Loss	≤0.3dB
Isolation	≥23dB
VSWR	≤1.20
Connector	N-KKK
Direction	Clockwise
Temperature Range	-30°C ~ +70°C



COAXIAL CIRCULATOR

Model	TH2528BN-1A	TH2528BN-1B
Frequency Range	1710-1880MHz	1910-2170MHz
Loss	≤0.3dB	≤0.3dB
Isolation	≥20dB	≥20dB
VSWR	≤1.20	≤1.20
Connector	N-KKK	N-KKK
Direction	Clockwise	Clockwise
Temperatur	-30°C ~ +70°C	-30°C ~ +70°C



PRODUCT FEATURES

- Stable Performance under different temperature
- Anti-shock
- Low loss, High Isolation, High Power
- RoHS Compliant
- Production process management confirms to military product standards
- Customisable to customer requirement
- High performance, short lead-time, focused on customer service
- Ex-factory in 10 days, urgent service can be arranged