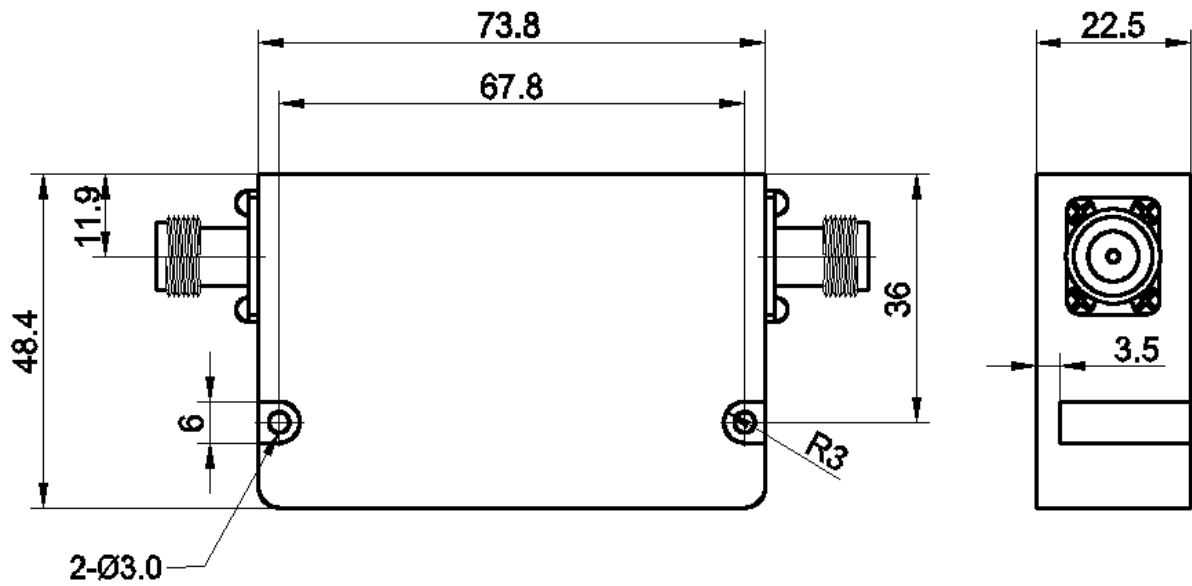


GSM Isolator - Dual Unit

Model	TZ7448EN-1-20
Frequency	880-960MHz
Insertion Loss	≤0.6dB
Isolation	≥50dB
VSWR	≤1.20
Connector	N-K
RF direction	Clockwise (anti-clockwise) customizable
Power Rating	150W
Power Average	20W
Temperature	-30°C ~ +70°C

Clockwise Model No.: TZ7448EN-1-20

Anti-clockwise model no. : TZ7448EN-2-20

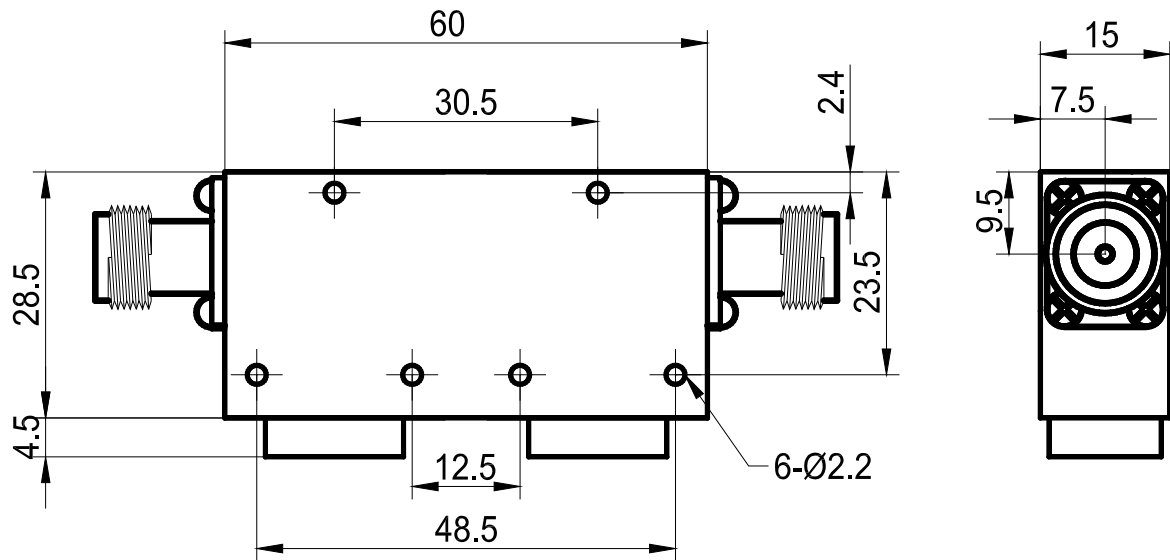


Isolator - Dual Unit

	<i>DCS Isolator Dual Units</i>	<i>UMTS Isolator dual Units</i>
Model	TZ6028BN-1-20	TZ6028BN-1-20
Frequency	1710-1880MHz	1920-2170MHz
Insertion Loss	$\leq 0.7\text{dB}$	$\leq 0.7\text{dB}$
Isolation	$\geq 40\text{dB}$	$\geq 40\text{dB}$
VSWR	≤ 1.20	≤ 1.20
Connector	N-K	N-K
RF direction	Clockwise (anti-clockwise) customizable	Clockwise (anti-clockwise) customizable
Power Rating	100W	100W
Power Average	20W	20W
Temperature	$-30^{\circ}\text{C} \sim +70^{\circ}\text{C}$	$-30^{\circ}\text{C} \sim +70^{\circ}\text{C}$

Clockwise model no. : TZ6028BN-1-20

Anti-clockwise model no. : TZ6028BN-2-20



GSM Isolator – Single Unit

Model	TG3434EN-1-20	TG3434EN-1-100
Frequency	880-960MHz	880-960MHz
Insertion Loss	≤0.3dB	≤0.3dB
Isolation	≥25dB	≥25dB
VSWR	≤1.20	≤1.20
Connector	N-K	N-K
RF direction	clockwise	clockwise
Power Rating	20W	100W
Temperature	-30°C ~ +70°C	-30°C ~ +70°C
Drawing	Figure 1	Figure 2

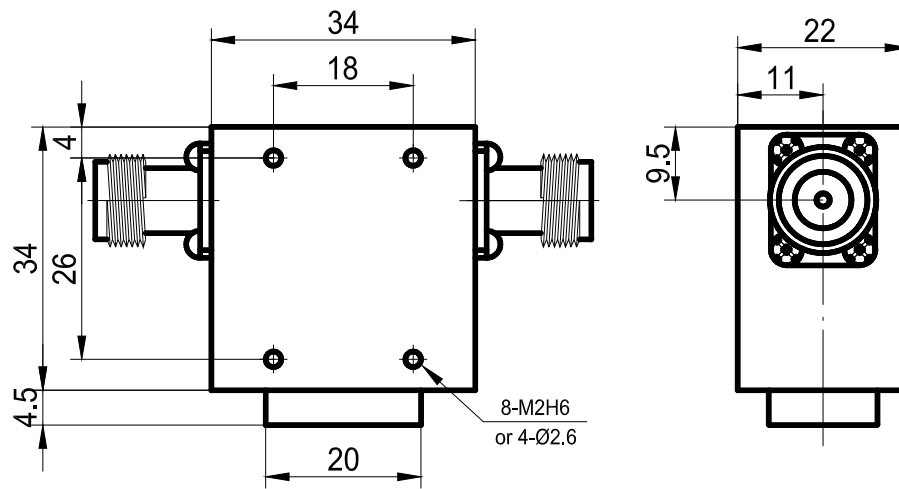


Figure 1

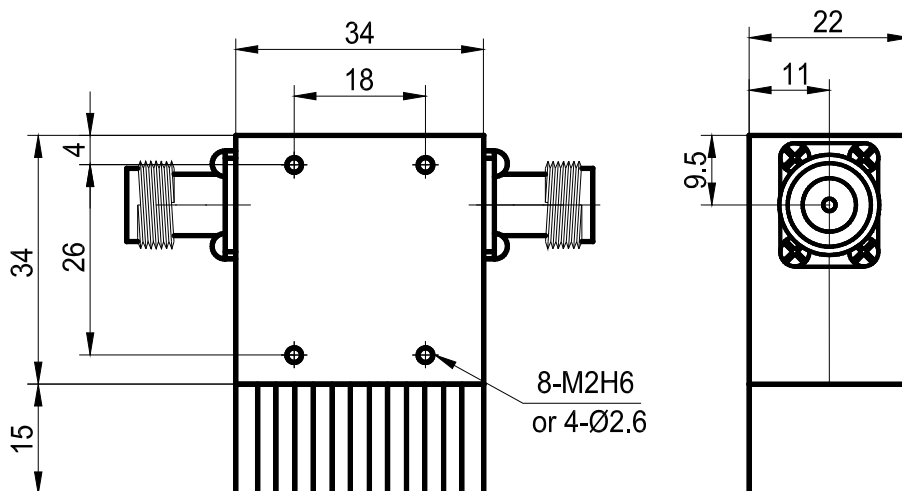


Figure 2

Isolator – Single Unit

	<i>DCS Isolator</i>		<i>UMTS Isolator</i>	
Model	TG2528BN-1-20	TG2528BN-1-100	TG2528BN-1-20	TG2528BN-1-100
Frequency	1710-1880MHz	1710-1880MHz	1920-2170MHz	1920-2170MHz
Insertion	≤0.3dB	≤0.3dB	≤0.3dB	≤0.3dB
Isolation	≥20dB	≥20dB	≥20dB	≥20dB
VSWR	≤1.20	≤1.20	≤1.20	≤1.20
Connector	N-K	N-K	N-K	N-K
RF direction	clockwise	clockwise	clockwise	clockwise
Power Rating	20W	100W	20W	100W
Temperature	-30°C ~ +70°C	-30°C ~ +70°C	-30°C ~ +70°C	-30°C ~ +70°C
Drawing	3	4	3	4

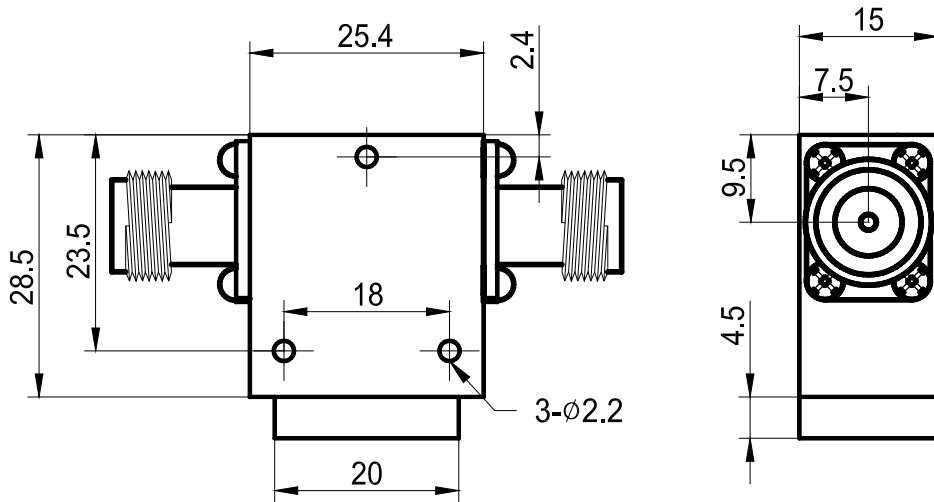


Figure 3

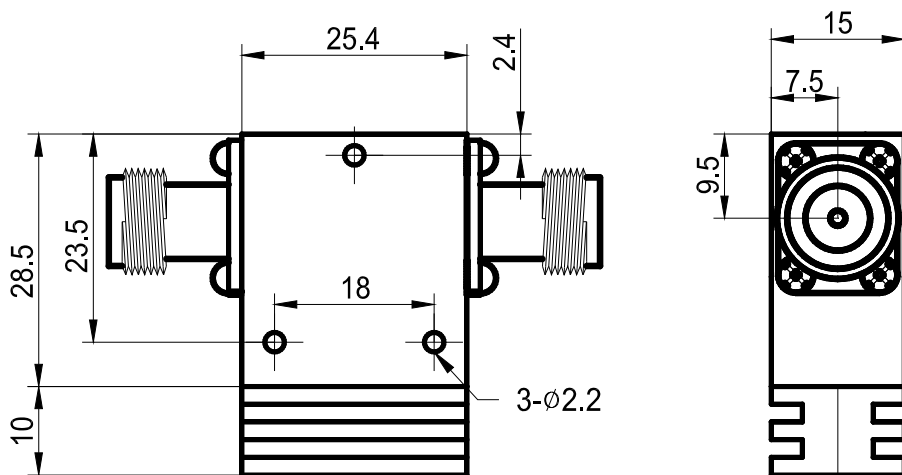


Figure 4

Features:

- 1 . Very stable performance
- 2 . Anti-shock
- 3 . RoHS compliant
- 4 . Customisable
- 5 . Leadtime < 15 working days